

CONNECTORS MANUFACTURER



FPC/FFC Conn.

RoHS

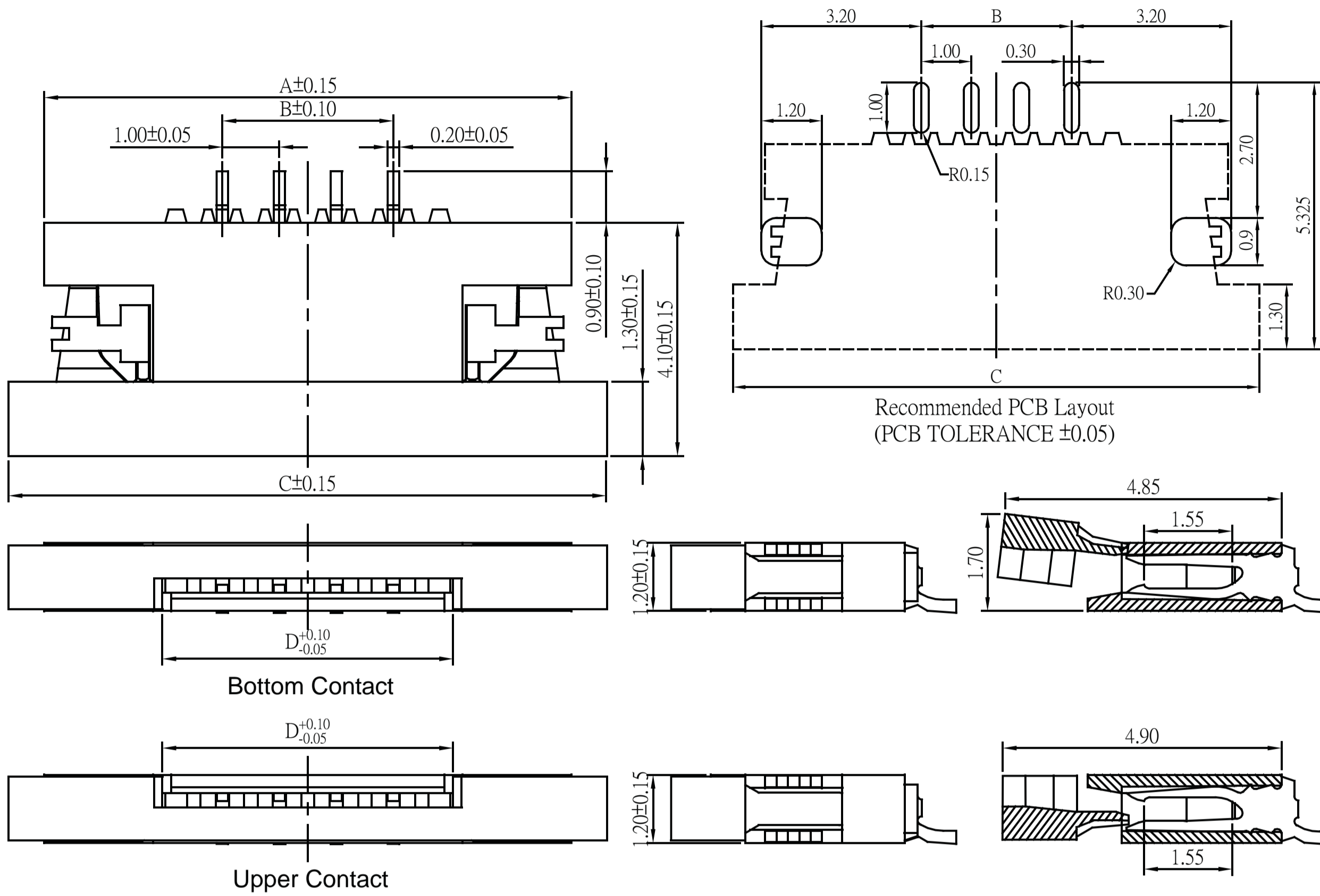
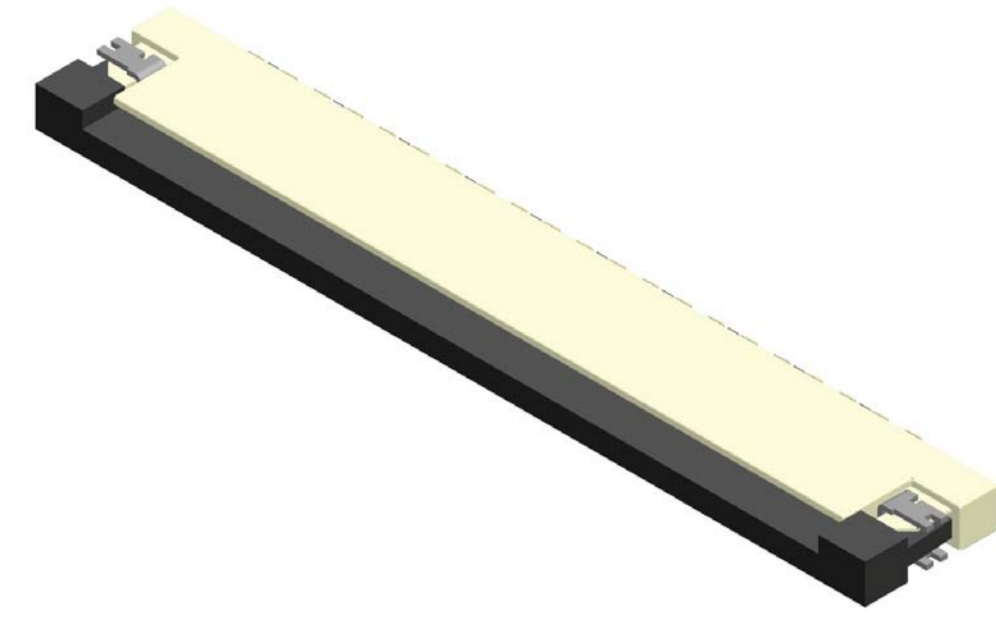
FPC/FFC 1.0mm ZIF Slim SMT Type Side Entry

SPECIFICATION

Current Rate:0.5 AMP
 Insulation Resistance:500MΩ Min.
 Contact Resistance:30mΩ Max.
 Dielectric Voltage:500V AC for one minute
 Operation Temperature:-55°C to +85°C

MATERIAL

Insulator:Polyester,UL 94V-0
 ©Standard:Nylon 46
 Contact Pin:Copper Alloy
 Contact Plated:Tin Plated



No. of Contacts	Dimensions			
	A	B	C	D
04	9.25	3.00	10.50	5.10
05	10.25	4.00	11.50	6.10
06	11.25	5.00	12.50	7.10
07	12.25	6.00	13.50	8.10
08	13.25	7.00	14.50	9.10
09	14.25	8.00	15.50	10.10
10	15.25	9.00	16.50	11.10
11	16.25	10.00	17.50	12.10
12	17.25	11.00	18.50	13.10
13	18.25	12.00	19.50	14.10
14	19.25	13.00	20.50	15.10
15	20.25	14.00	21.50	16.10
16	21.25	15.00	22.50	17.10
17	22.25	16.00	23.50	18.10
18	23.25	17.00	24.50	19.10
19	24.25	18.00	25.50	20.10
20	25.25	19.00	26.50	21.10
21	26.25	20.00	27.50	22.10
22	27.25	21.00	28.50	23.10
23	28.25	22.00	29.50	24.10
24	29.25	23.00	30.50	25.10

Part No.:FPC3AMRT1-XX-U

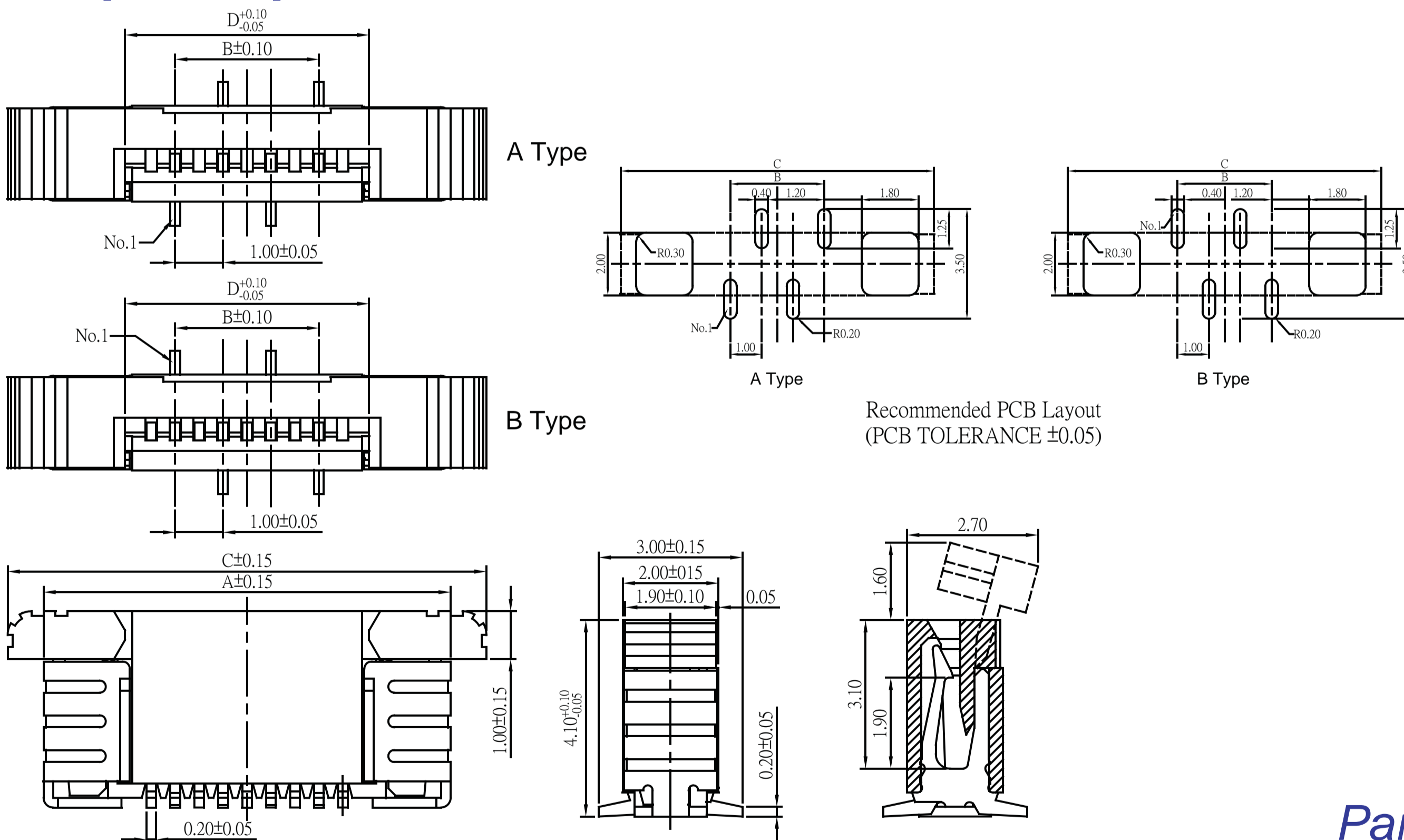
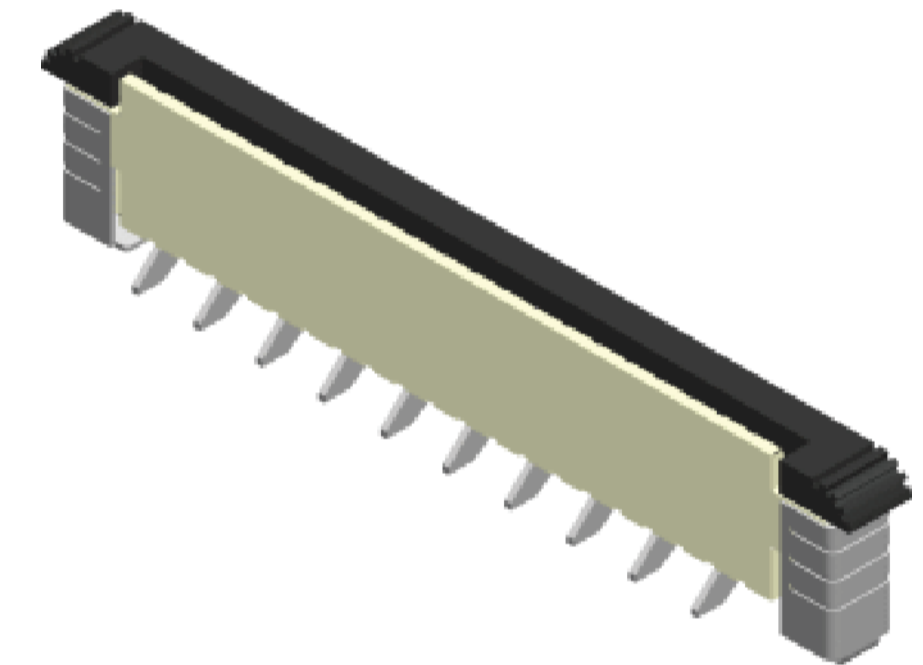
FPC/FFC 1.0mm ZIF SMT Type Top Entry

SPECIFICATION

Current Rate:0.5 AMP
 Insulation Resistance:500MΩ Min.
 Contact Resistance:30mΩ Max.
 Dielectric Voltage:500V AC for one minute
 Operation Temperature:-55°C to +85°C

MATERIAL

Insulator:Polyester,UL 94V-0
 ©Standard:Nylon 46
 Contact Pin:Copper Alloy
 Contact Plated:Tin Plated



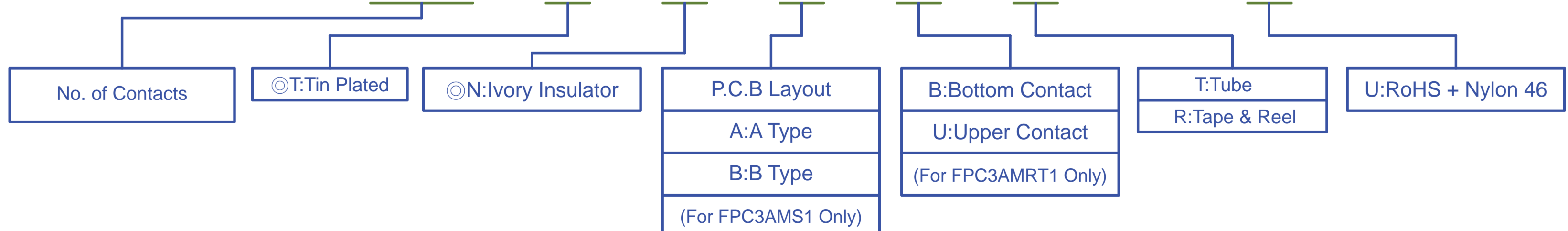
No. of Contacts	Dimensions			
	A	B	C	D
04	8.50	3.00	10.00	5.10
05	9.50	4.00	11.00	6.10
06	10.50	5.00	12.00	7.10
07	11.50	6.00	13.00	8.10
08	12.50	7.00	14.00	9.10
09	13.50	8.00	15.00	10.10
10	14.50	9.00	16.00	11.10
11	15.50	10.00	17.00	12.10
12	16.50	11.00	18.00	13.10
13	17.50	12.00	19.00	14.10
14	18.50	13.00	20.00	15.10
15	19.50	14.00	21.00	16.10
16	20.50	15.00	22.00	17.10
17	21.50	16.00	23.00	18.10
18	22.50	17.00	24.00	19.10
19	23.50	18.00	25.00	20.10
20	24.50	19.00	26.00	21.10
21	25.50	20.00	27.00	22.10
22	26.50	21.00	28.00	23.10
23	27.50	22.00	29.00	24.10
24	28.50	23.00	30.00	25.10

Part No.:FPC3AMS1-XX-U

ORDER INFORMATION

F P C 3 A M S 1

F P C 3 A M R T 1 - X X T N X X - U



AMTEK COMMUNICATIONS MANUFACTURING